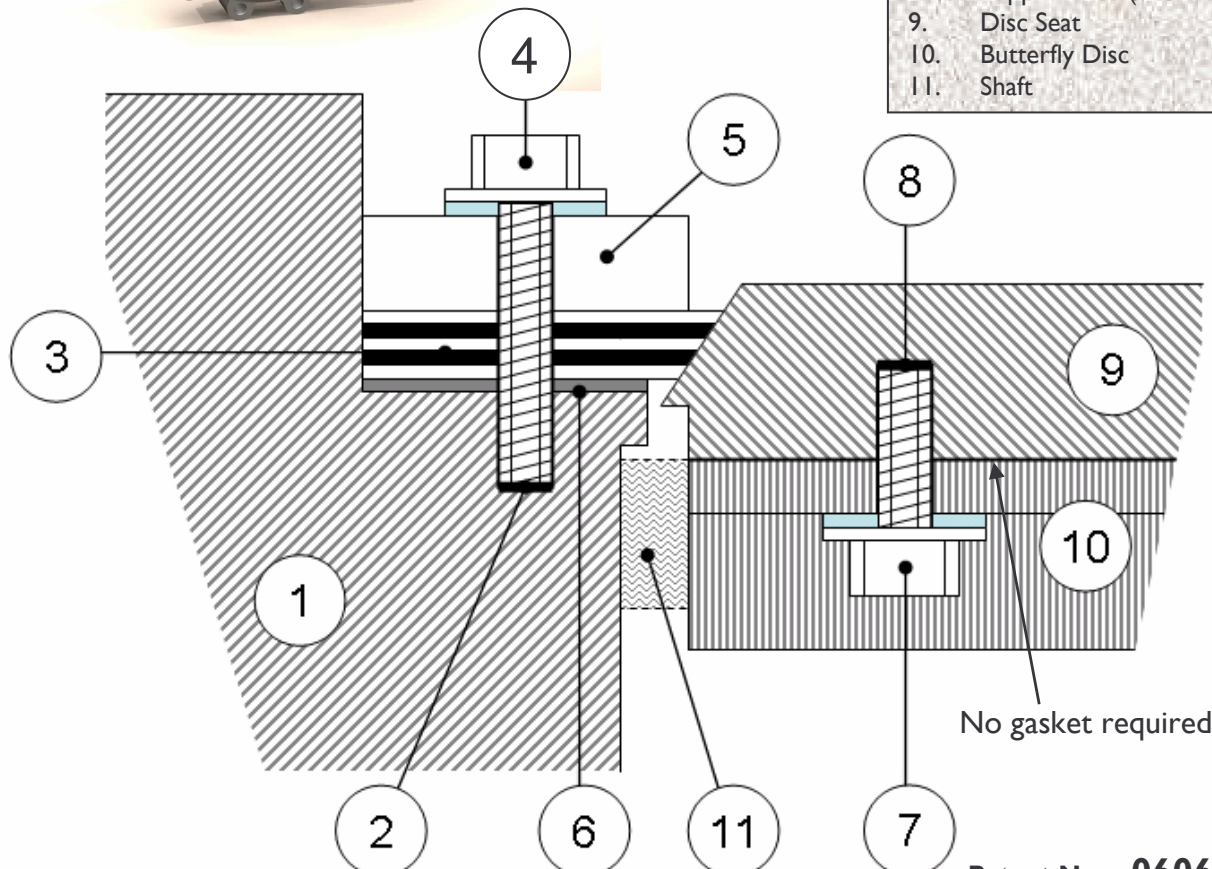
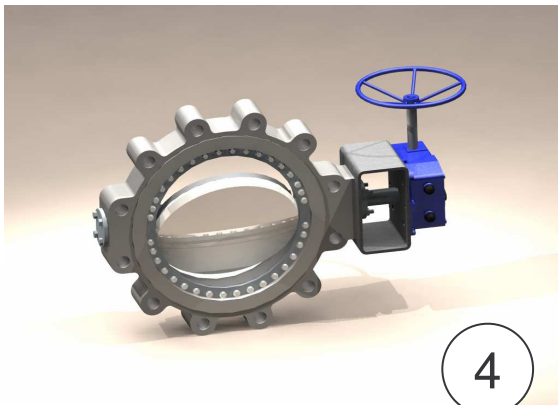


# Features of the 'TVT' range

- ✓ Triple offset circular conical sealing geometry (not elliptical).
- ✓ Fully rated.
- ✓ Bi-directional.
- ✓ Zero leakage.
- ✓ Zero sealing friction.
- ✓ Excellent flow and control characteristics.
- ✓ Fire safe certified to BS EN ISO 10497:2004.
- ✓ Bearing protectors as standard.
- ✓ Seat and seal are easily replaceable.
- ✓ Unique disc seat design allows for less internal gasket joints (see diagram below).
- ✓ Free floating disc design allows for stem expansion under high temperatures.
- ✓ Floating bearings eliminate seizure caused from cross bore misalignment.
- ✓ Square Drive for multiple actuation orientation.



## Key

1. Body
2. Tapped Hole (Body)
3. Graphite Laminate
4. Seal Fastener
5. Clamp Ring
6. Graphite Gasket
7. Disc Fastener (tack welded)
8. Tapped Hole (Disc Seat)
9. Disc Seat
10. Butterfly Disc
11. Shaft

Patent No: **0606105.5**